

Stratix 2500 Lightly Managed Switch

Configurable, Compact Industrial Switch for Less Complex Applications

The Stratix® 2500 Lightly Managed Switch enables network connectivity in applications where traditional unmanaged switches lack the ability to provide network resiliency, diagnostics and security, allowing you to achieve higher productivity and network reliability.

The Stratix 2500 is offered in 5 and 8 10/100 Mbps fast Ethernet copper port versions in a compact design. Its consistent delivery and prioritization of traffic, on a per-port basis, helps ensure that the critical traffic is delivered end to end with priority.

It can be installed in the network in two ways. By using the default, “out-of-the-box” installation, you can prioritize network traffic and commission the device faster. Configuring the switch allows you to enable security, resiliency and bandwidth optimization features needed for today’s industrial networks.



Features and Benefits

Premier Integration into the Integrated Architecture® System

- Add-on Profile for configuration via Studio 5000 Logix Designer® design environment and FactoryTalk® View Faceplate for diagnostics

Reduced Total Cost of Ownership:

- VLANs allow for logical segmentation in a single switch, which reduces total number of switches needed

Improve network resiliency:

- STP helps detect network loops and prevents them before the network stops
- IGMP enables multicast for data traffic control

Increase network security

- Port security allows users to disable ports, or control end device connectivity based on MAC address
- SSH and HTTPS provide secure connectivity

Minimized downtime

- SNMPv3 and Syslog monitor network-attached devices to uncover errors and decrease downtime
- Diagnostic information and alarm relay provide actionable information to resolve issues faster

Stratix 2500 Lightly Managed Switch Reference Chart

	Stratix 2000 Unmanaged Switch	Stratix 2500 Lightly Managed Switch
Ports	4...16	5, 8
Fiber Ports (Maximum)	2	0
Gig Ports (Maximum)	6	0
Redundant Power Inputs	✓	-
STP, RSTP, MSTP Resiliency Protocols	-	✓
EtherChannel (Link Aggregation)	-	✓
MAC ID Port Security, Crypto (SSH, SNMP), HTTPS Access	-	✓
Port Thresholds (Storm Control)	-	✓
Port Mirroring	-	✓
CIP Interface (Studio 5000 AOP and Faceplate)	-	✓
VLANS	-	✓

1734 POINT I/O, Allen-Bradley, CompactLogix, Integrated Architecture, Kinetix, LISTEN. THINK. SOLVE., PanelView, PowerFlex, and Stratix are trademarks of Rockwell Automation, Inc. All other trademarks and registered trademarks are the property of their respective owners.

www.rockwellautomation.com

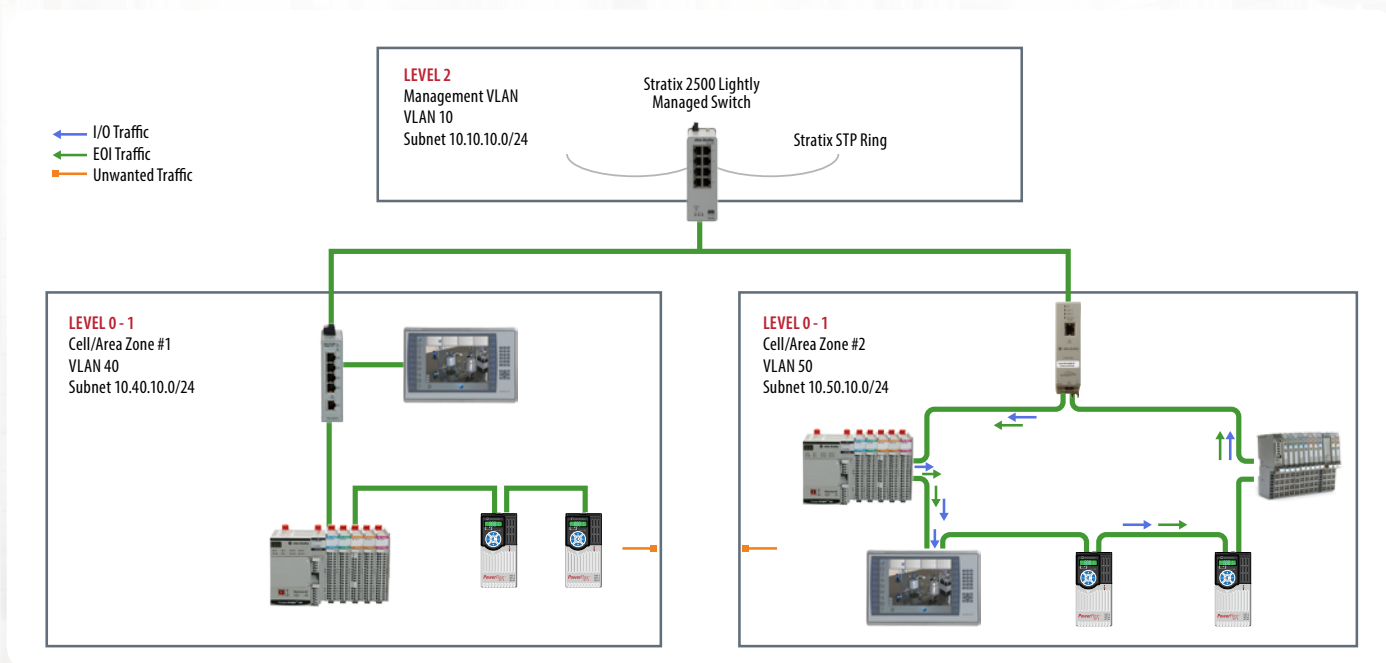
Power, Control and Information Solutions Headquarters

Americas: Rockwell Automation, 1201 South Second Street, Milwaukee, WI 53204-2496 USA, Tel: (1) 414.382.2000, Fax: (1) 414.382.4444
 Europe/Middle East/Africa: Rockwell Automation NV, Pegasus Park, De Kleetlaan 12a, 1831 Diegem, Belgium, Tel: (32) 2 663 0600, Fax: (32) 2 663 0640
 Asia Pacific: Rockwell Automation, Level 14, Core F, Cyberport 3, 100 Cyberport Road, Hong Kong, Tel: (852) 2887 4788, Fax: (852) 2508 1846

Publication ENET-PP014A-EN-P – May 2017

Stratix 2500 Lightly Managed Switch Application

When configured, the Stratix 2500 lightly managed switch exceeds the capabilities of an unmanaged switch by providing loop detection and prevention capability via STP, monitoring and optimizing traffic flow, and providing diagnostic information to help minimize downtime. It also supports VLANs for logical segmentation, thereby helping reduce total cost of ownership. As seen in the drawing below, using VLANs separates the traffic within the Cell/Area zones and keeps unwanted traffic contained and reduces the risk of packet storms that can bring down your network. The Stratix 2500 lightly managed switch can support up to 64 VLANs.



Copyright © 2017 Rockwell Automation, Inc. All Rights Reserved. Printed in USA.